



# AMMA<sup>®</sup> 7242 FS NARROW BASE ADDENDUM to the OWNER'S MANUAL

IMPORTANT INFORMATION FOR THE INSTALLER  
AND THE OWNER

**INCLUDED:** AMMA 7242 FREESTANDING NARROW BASE BATHS  
INSTALLATION INSTRUCTIONS

 **BainUltra<sup>®</sup>**  
The quest for your wellness<sup>®</sup>

IMPORTANT: TO BE KEPT FOR THE OWNER

# AMMA OVAL 7242 FREESTANDING NARROW BASE

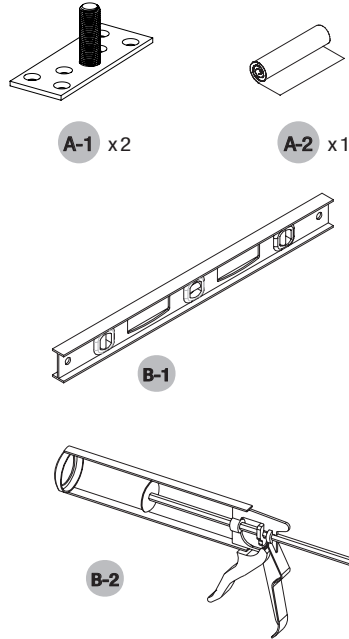
## PARTS AND TOOLS

### A. PARTS INCLUDED

<b>A-1</b>	Floor anchoring
<b>A-2</b>	Installation template

### B. TOOLS REQUIRED

<b>B-1</b>	48-inch level
<b>B-2</b>	Caulking gun
<b>B-3</b>	Silicone



# AMMA OVAL 7242 FREESTANDING NARROW BASE

## SITE PREPARATION

The Amma Oval 7242 FS Narrow Base model requires a 9" x 12" (23 cm X 30 cm) compartment for the drain, distance air inlet, and space for control cables and options. Refer to the installation template.

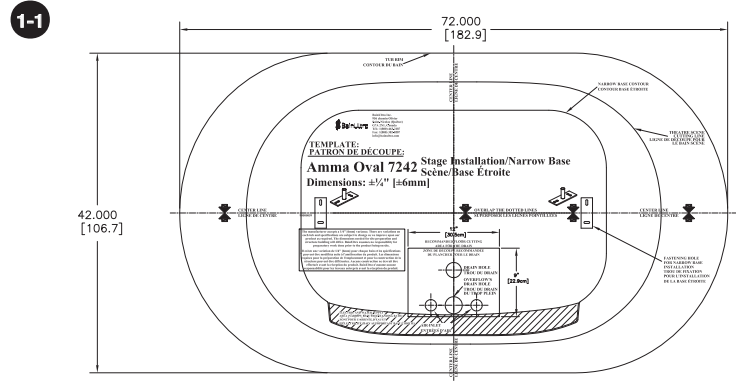
### ACCESS AND AIR INLET

For these model, the turbine is not installed on the bathtub. Determine a location near the bathtub at a maximum distance of 15 feet or (4.6 metres) under the floor, in a cabinet or any other location to conceal the turbine and optional accessories. The location chosen must also be accessible and allow sufficient air intake for the turbine. (Refer to the **TURBINE-DISTANCE INSTALLATION** section of the **Owner's Manual**).

# AMMA OVAL 7242 FREESTANDING NARROW BASE INSTALLATION

## 1. LOCATION

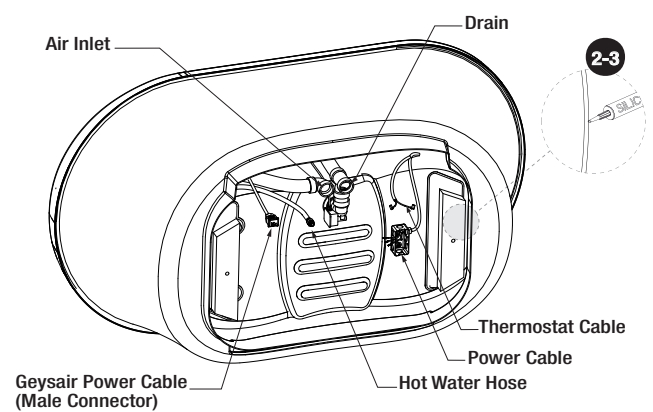
- 1-1 Place the installation template on the ground at the chosen location.
- 1-2 Align the position of the overflow drain with the floor drain and ensure that the compartment size corresponds to requirements.
- 1-3 Mark the location of the anchor point screws.
- 1-4 Remove the installation template and screw in the anchor points in the marked locations.



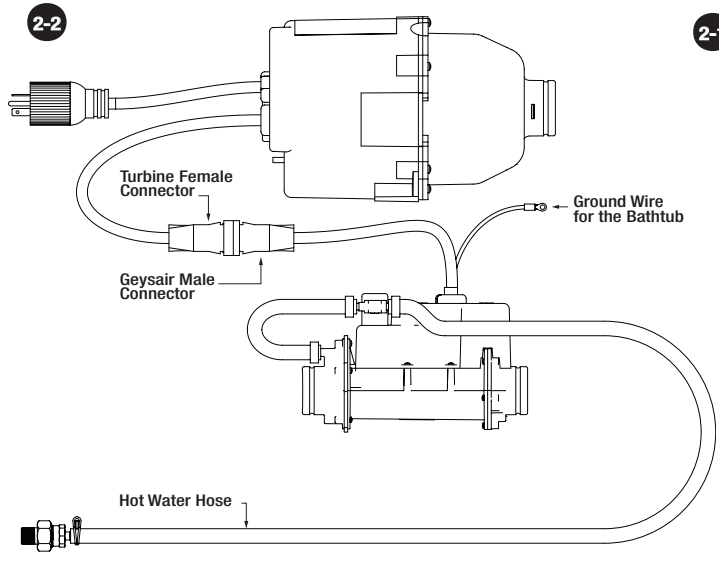
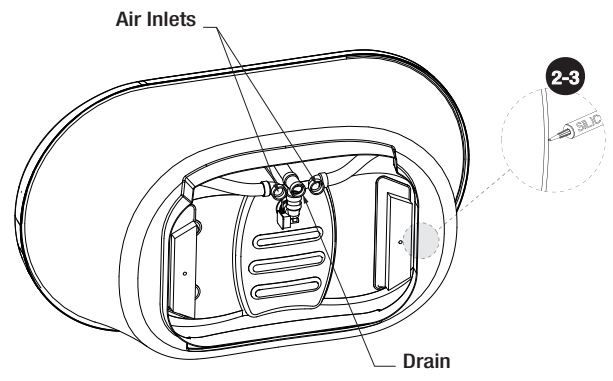
## 2. INSTALLATION OF BATH

- 2-1 Assemble the drain on the bathtub. Ensure watertightness. This operation is much easier to complete when the bathtub rests on its side. Place a cover or protective cardboard on the floor before positioning the bathtub on its side.
- 2-2 **For Geysair-equipped baths,** connect the male connector of the Geysair electrical cable to the corresponding female connector of the turbine. Temporarily connect turbine to power. **Test for grounding continuity between the bath grounding terminal and the bath power supply. Failure to get a successful grounding continuity test could result in serious personal injury.** Disconnect power from turbine.
- 2-3 Apply a joint of silicone under the edge of the base of the bathtub.

2-1 Amma Oval 7242 FS Narrow Base **EQUIPPED WITH GEYSAIR**



2-1 Amma Oval 7242 FS Narrow Base **WITHOUT GEYSAIR**



# AMMA OVAL 7242 FREESTANDING NARROW BASE INSTALLATION

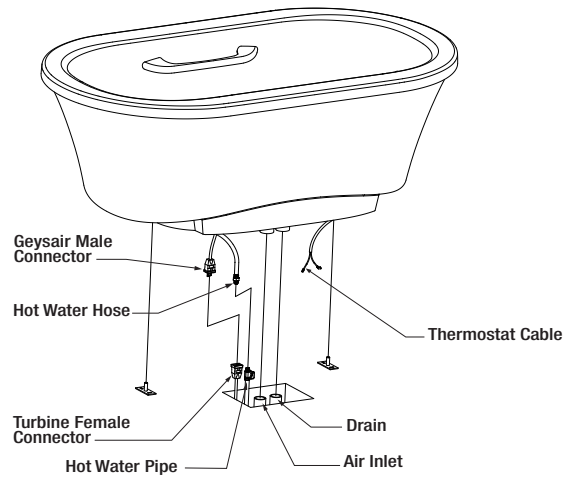
## 2. INSTALLATION OF BATH (cont'd)

- |            |  |
|------------|--|
| <b>2-4</b> | Install the bathtub on the anchor points fastened to the floor and immediately wipe away any excess silicone. Connect the drain.   |
| <b>2-5</b> | Install the turbine according to the instructions in the TURBINE – DISTANCE INSTALLATION section of the manual.<br><b>For Geysair-equipped baths</b> , the air inlet is located to the left of the bathtub drain. Also run the water hose and electrical wiring through the floor. <b>For baths without Geysair</b> , there are 2 air inlets located on either side of the drain. Connect control and option cables as applicable. |

### NOTE

- To install the Amma Oval 7242 FS Narrow Base on a concrete slab with no place for the passage of the air inlet pipe to the bathtub: drill a hole 1 5/8 inches in diameter in the skirt.

**2-4**

 Amma Oval 7242 FS Narrow Base **EQUIPPED WITH GEYSAIR**

**2-4**

 Amma Oval 7242 FS Narrow Base **WITHOUT GEYSAIR**
